

PCB BARE BOARD LOADER

THIS UNIT IS USED FOR LOADING OF BARE PCBS TO THE PRODUCTION LINE.

Features and Benefits:

- 200 board stack capability with 0.4 mm board thickness
- Variable speed in/speed out and PLC Control System
- Board unload or pass-through mode
- Variable thickness adjust dial and Slide-width adjust
- SMC Cylinder and Fixed front rail
- Adjustable transfer height
- Interface mounting brackets
- SMEMA compatible



MODEL: SBU460

www.smthelp.com

MODEL: SLD330
SMT PCB
Magazine Loader



SMEMA
Compliant



PLC Control
System



Weight(KG):
200KG



Dimension
(L*W*H.MM):
1650*845*1250



This machine is designed for the loading of PCBs. The unit loads your production line automatically by pushing PCBs out of a magazine onto the conveyor of the downstream machine.

High Speed

LED PICK AND PLACE MACHINE

Model:
S-E20000



Features

- Six pick-up heads
- Practical placement speed up to 20,000 cph
- Bottom fixed-camera vision system for accurate alignment
- Magnetic fixture worktable standard
- Customized nozzles available

It is a High-Speed dedicated SMD chip mouter machine that assembles LED PCBs up to 1.2 meters long in a single pass



S-1200-SV

**PICK & PLACE MACHINE
FOR SMT MANUFACTURERS**



**SUITABLE FOR ALL
LED LIGHTING
PRODUCTS**



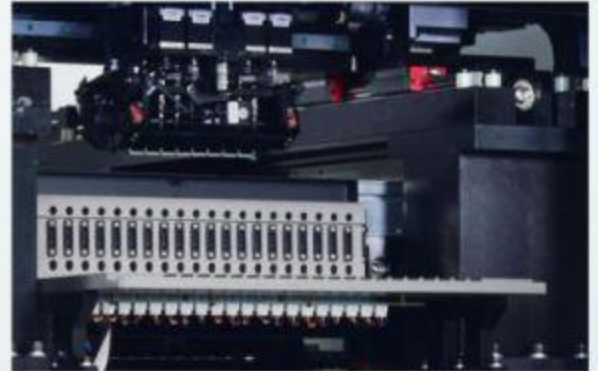
**HIGH-SPEED
REACHING 0.1S/CHIP
(5000CPH)**



**HIGH-ACCURACY
WITH A VISION
ALIGNMENT CAMERA**

PICK AND PLACE MACHINE

MODEL: SF-509B



Place 20 Feeders

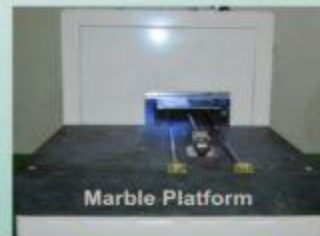
- Actual placement speed to 35,000 cph for LED tube light.
- Places SMD components from 0603 to 7474, apply to LED chip, capacitors, resistors, IC, diode, odd-shape components etc.
- Max board length of 600mm.



8 heads



Visual System



Marble Platform



20 feeder stations



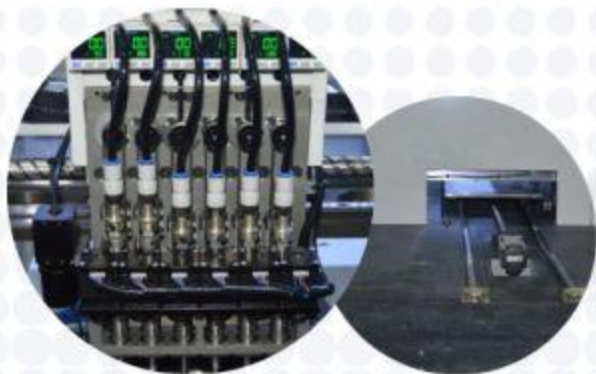
www.smthelp.com

**MACHINE DELIVERS
ON TIME AND
ON BUDGET**

PICK AND PLACE MACHINE

FOR LED LIGHTING SMT MANUFACTURING

- The S-320 Machine is low cost and thoroughly fulfills LED Manufacturing Requirements.
- We use high-grade parts to prolong the life of the machine.
- Visual recognition technology
- Vacuum detection



MODEL: S-320



20 feeder stations



PICK AND PLACE MACHINE

Marble Platform Prevents deformation
for at least 100 years. Also, Stable for
high speed and high accuracy with
360-degree orientation

MODEL: S-800S



Auto Vacuum detection

**MACHINE DELIVERS
ON TIME AND
ON BUDGET**



www.smthelp.com

Automatic Solder Paste Warm-up Machine

For PCB SMT Processing



Southern Machinery is a professional manufacturer of Solder Paste Warm-up Machine, with the best quality and low price. Effectively control the solder paste reheat time to ensure solder paste activity, we provide different types of Solder Paste Warm-up Machine, and customize the special size for you.

SOLDER PASTE MIXER

MODEL: S-PM440

The solder paste mixer can effectively stir the solder paste and tin powder well. The solder paste back to the temperature in a short time, stir well can be used at the same time.



THIS ADVANCE MACHINE IS
FOR SMT PCB ASSEMBLY

AUTOMATIC SCREEN PRINTER

- Accurate CCD vision positioning and PCB conveying system
- Automatic and effective stencil wiping system
- Automatic stencil positioning and adjustable size range
- Guarantee of machine accuracy and stable running



Stencil Separation Speed

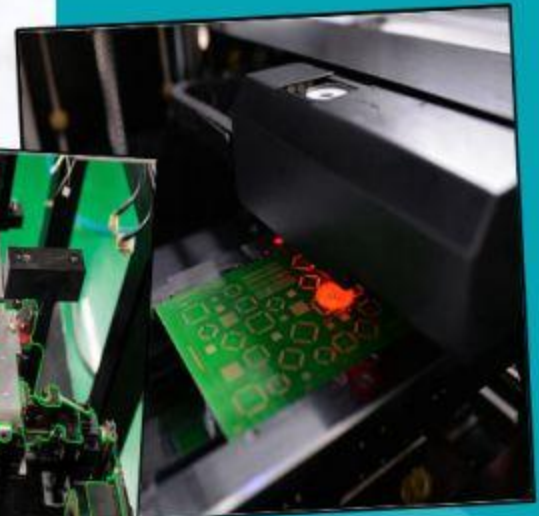
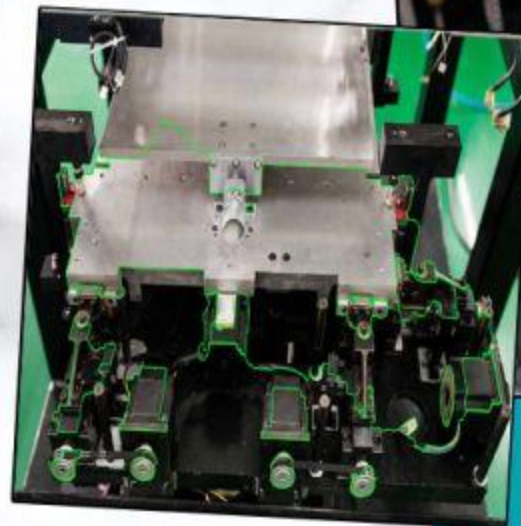
0.01-10mm/sec

Cleaning Method

Dry , wet or vacuum
cleaning (programmable
any combination)

Machine Dimension

1400*1200*1450mm
(L*W*H)



MODEL: SP-1008



AUTOMATIC SCREEN PRINTER

MODEL: SCL-1200

High
Precision
Printing
Quality

Spraying
Cleaning
System


More
Reliability
&
Efficiency

Individual
Floating
Squeegees



THIS MACHINE IS A GLOBAL SALES LEADER.
IT HAS A WIDE RANGE OF APPLICATIONS AND IS A LEADER
IN THE LED SUPER LARGE BOARD PRINTING SYSTEM

GET A QUOTE FROM OUR WEBSITE

 www.smthelp.com

Soldering Machine



Flexible and diverse soldering methods, soldering at different angles, support spot soldering and drag soldering, all parameters can be set by the user to adapt to various difficult operations and micro-soldering processes.

ODD FORM INSERTION MACHINE

Current Situation of DIP Line in Electronic Machining



SUPPORT YOUR PCB ASSEMBLY

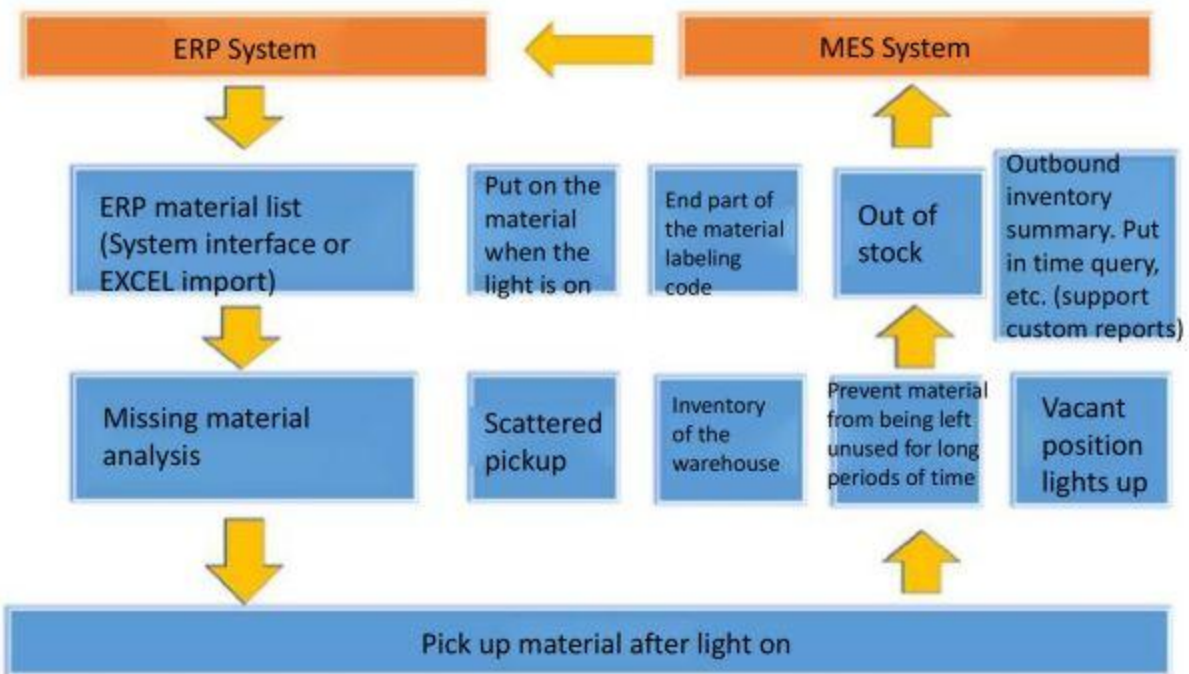


MODEL: S-70LD

S-70LD Odd Form Insertion Machine

Current situation of DIP Line in Electronic Machining

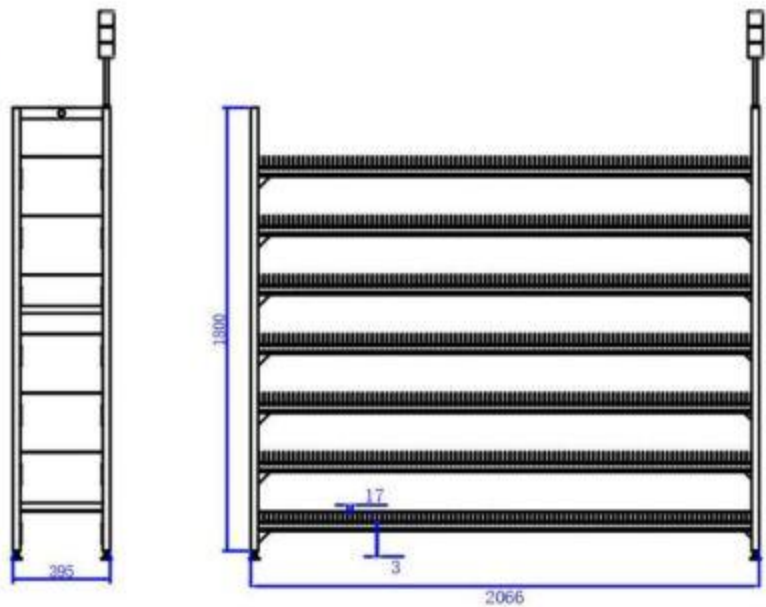




Product overview

SIR7000B SMT Intelligent Reel Storage Torley

Specification	Describe
Installation method	fixed
Model	SIR7000B
Size (L*W*H)	2070mm*400mm*1800mm
Applicable reel size	7inch(thickness ≤ 13)
Capacity for reel	1624
Layer	7
Usable Surface	Double Sided



Product overview

SIR7000B SMT Intelligent Reel Storage Torley

Specification	Describe
Power	220V (DC12V adapter)
Maximum operating current	<7000mA
Total power	<100W
Communication method	Support wired (485 communication bus), no more than 200 meters transmission distance
Electrical protection	Overcurrent, overvoltage protection, anti-surge
Top light	2
Lighting mode	7 color modes



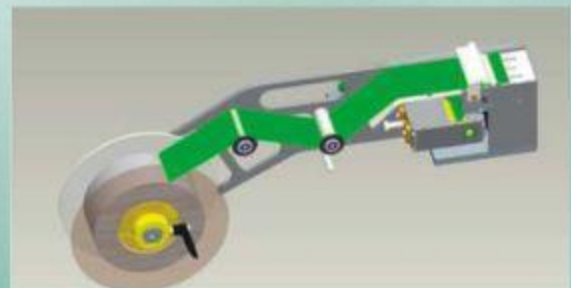
SMT AUTOMATIC LABEL MOUNTER

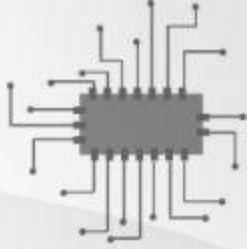
MODEL: T-300

Apply to all SMT industry need to label the circuit

Features & Benefits:

- This machine can greatly improve the SMT line labels.
- Reduce error rate and make the SMT production line much smoother and more efficient
- High precision and high flexibility
- Full compliance with SMEMA interface conveyor along with the automatic adjustment.
- Electronic label feeder control by the fiber-optic and motor.
- Develop all kinds of label feeders according to the customer requirement





Model: SP-100B

FULLY AUTOMATIC
SMT SCREEN PRINTER FOR PCB

APPLICABLE TO:

- MOBILE PHONE
- COMMUNICATION
- LCD TV
- STB & VEHICLE
- ELECTRONICS
- MEDICAL POWER EQUIPMENT
- AEROSPACE&AVIATION
- BESIDES GENERAL
ELECTRONICS PRODUCTS



This equipment is a high accuracy printing machine designed for high precision screen printing or stencil printing in SMT industry.



SWZ-10H-A AGV TROLLEY

.....
AUTOMATED GUIDED VEHICLE
SPECIALLY DESIGNED FOR
PCB INDUSTRY

Improve logistics management

Long-distance transportation

High degree of automation

Reduce product damage

Charging automation

Easy Maintenance

To get a quote
visit our website



www.smothelp.com



www.smthelp.com

MODEL
S-H680



AUTOMATIC OPTICAL INSPECTION MACHINE

Features:

- A variety of calculation methods to ensure accurate detection results
- An industrial digital camera captures high-definition images at a high speed
- It can also be used to inspect other suitable hardware and plastic products
- High detection, and low false positives.



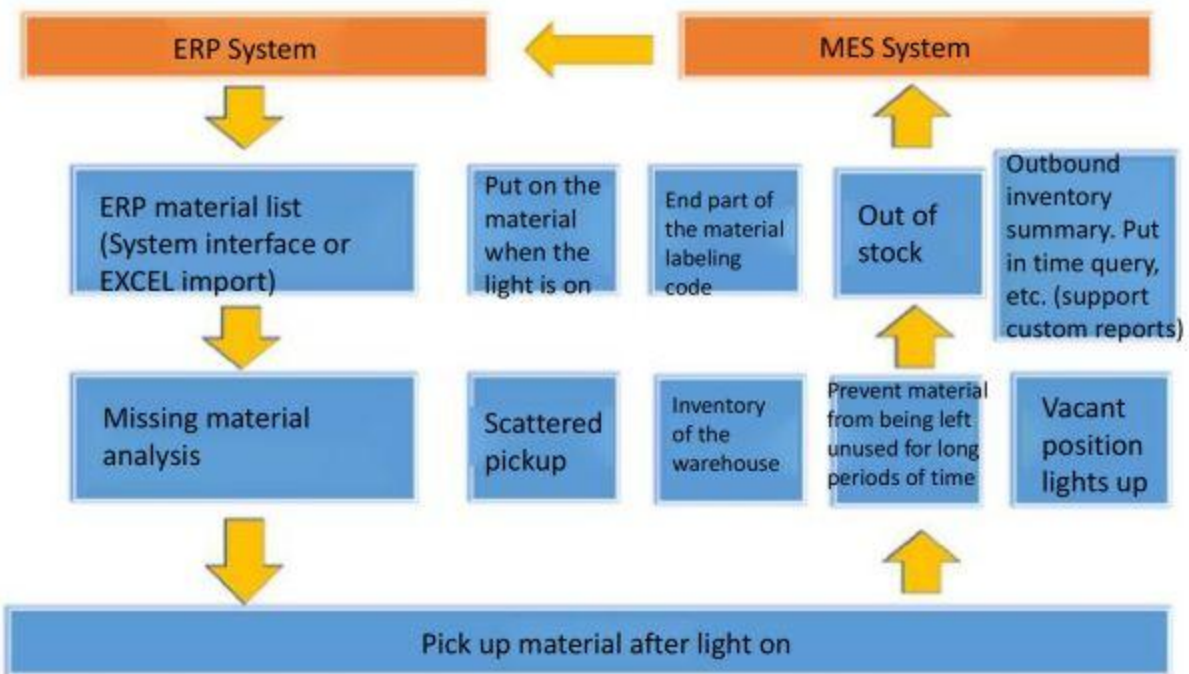
AUTOMATIC OPTICAL INSPECTION MACHINE

**MODEL
S-L680**

Features:

- This professional equipment is mainly used to check the mounting and welding quality
- Display the unqualified products
- It can also be used to inspect other suitable hardware and plastic products
- Accurate detection results, high detection, and low false positives.

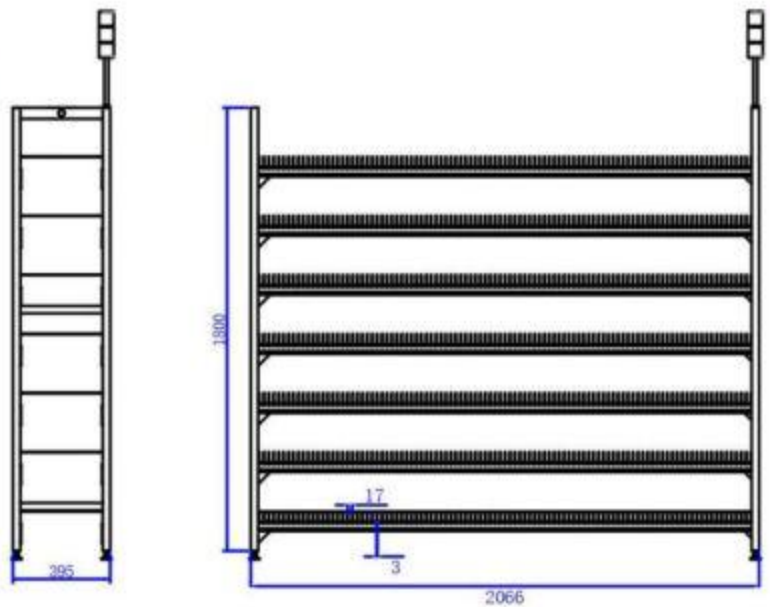




Product overview

SIR7000B SMT Intelligent Reel Storage Torley

Specification	Describe
Installation method	fixed
Model	SIR7000B
Size (L*W*H)	2070mm*400mm*1800mm
Applicable reel size	7inch(thickness ≤ 13)
Capacity for reel	1624
Layer	7
Usable Surface	Double Sided



Product overview

SIR7000B SMT Intelligent Reel Storage Torley

Specification	Describe
Power	220V (DC12V adapter)
Maximum operating current	<7000mA
Total power	<100W
Communication method	Support wired (485 communication bus), no more than 200 meters transmission distance
Electrical protection	Overcurrent, overvoltage protection, anti-surge
Top light	2
Lighting mode	7 color modes



MIS-PRINT PCB CLEANING MACHINE FOR WRONG PRINTING

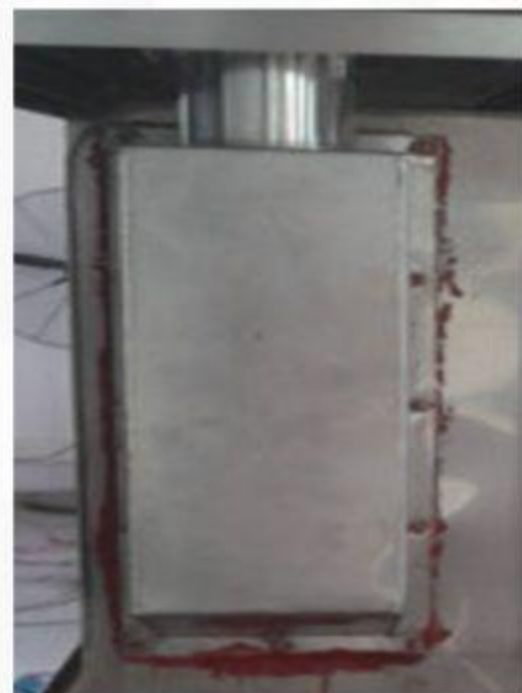
The machine automatically completes the cleaning and blow-drying process, and can effectively clean the organic and inorganic pollutants.



NEW CONTROL PANEL



NEWEST DESIGN CLEANING TANK



EXHAUST PORT



PCB BOARD AUTO CUTTING MACHINE

MODEL: S-D3500S

Online Routing PCB Separator

This machine could communicate directly with the front machine, such as SMT magazine Loader



01

SELF-CORRECTION ON ERROR OF PCB INSTALLATION

02

SAFE DOOR FOR ISOLATION FROM NOISE AND DUST

03

TOUCH SCREEN DISPLAY, SET AND CONTROL OPERATION

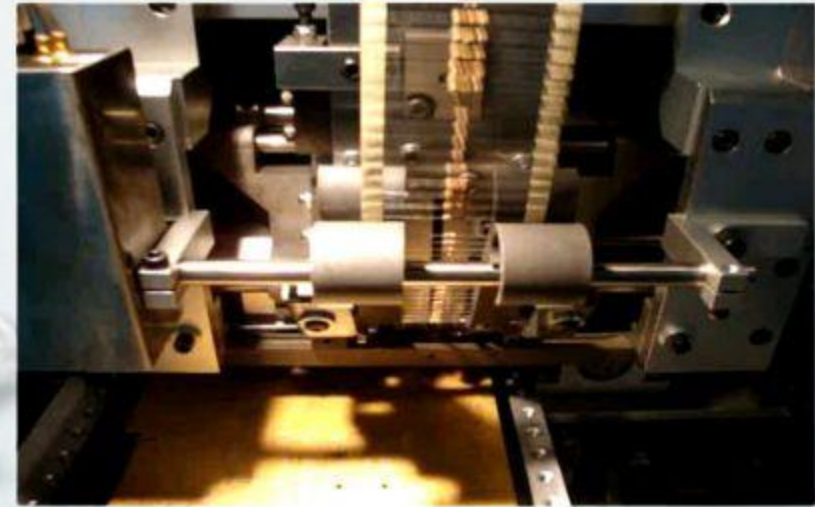
04

ABLE TO CONNECT WITH FEEDING EQUIPMENT

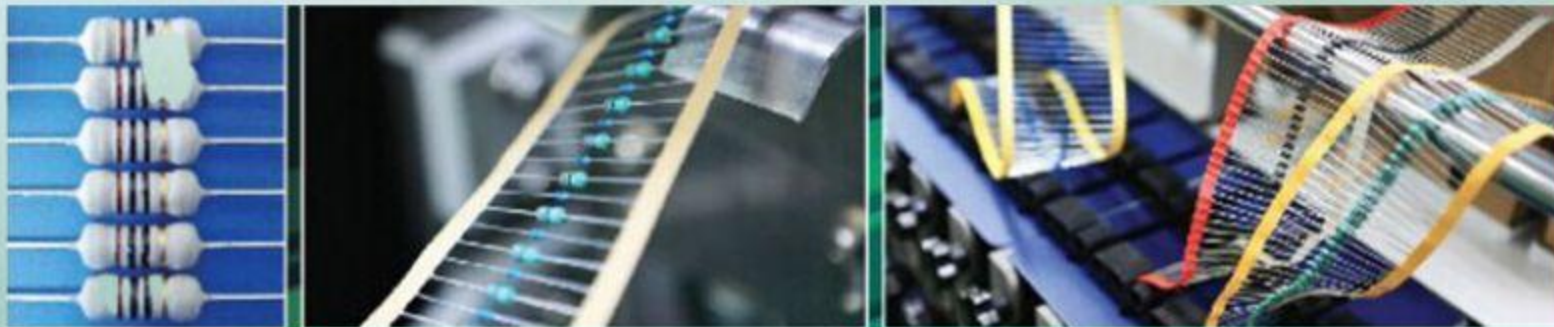
FOR MORE DETAIL VISIT OUR WEBSITE

www.smthelp.com

The design is a passive mechanical device that is quiet, clean, and reliable. The inserts keep costs down and reduce maintenance costs and time.



- Reduce load time by running two PCBs at once.
- High-performance Positive Axis Control servo-drive system
- Faster, more precise motion, yielding precise component insertion and clinching with less mechanical wear and noise.

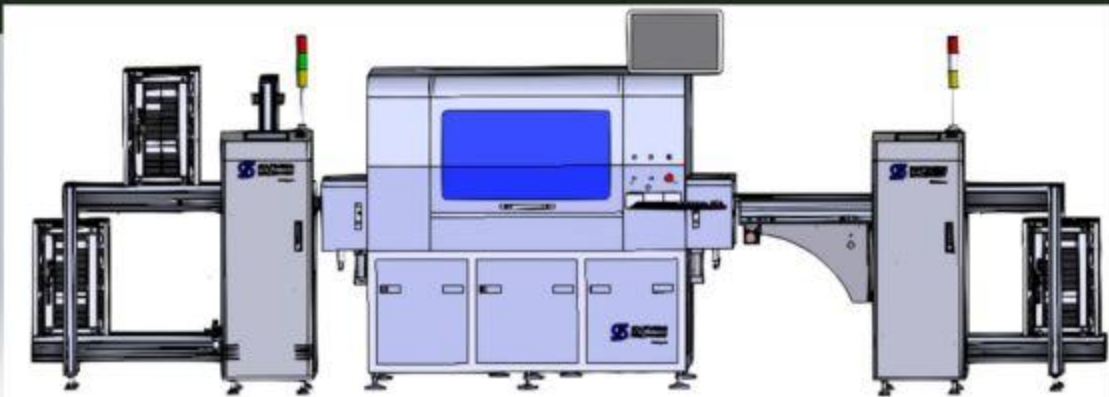


TO GET A QUOTE VISIT OUR WEBSITE

Pin Terminal Insertion Solution



S-7000T Insertion Machine+Magzine Type Loader and
Unloader



Magazine Type PCB Loader

S7000T Pin Terminal Insertion Machine

Magazine Type PCB Unloader



S-7000T Terminal Insertion Machine

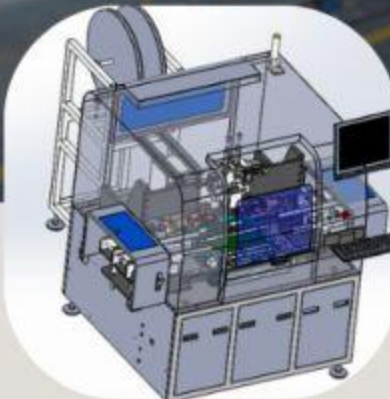
Higher return on investment and low maintenance



- Feeding and Cutting system
- High speed:5000-6000 CPH
- Windows-based operating system
- Insertion height control
- Insertion system & Clinching system
- Online visual programming

www.smothelp.com

VISIT OUR WEBSITE



Terminal Insertion Machine Southern Machinery Our odd form component inserter can bring you maximum automation

Model: SH8650

High-Speed Camera



Faster Detection Speed



Multi-Direction 3D Projection



Accurate Measurement Data



**FOR MORE DETAIL
VISIT OUR WEBSITE**

 www.smthelp.com

3D SPI Machine for Solder Paste Inspection



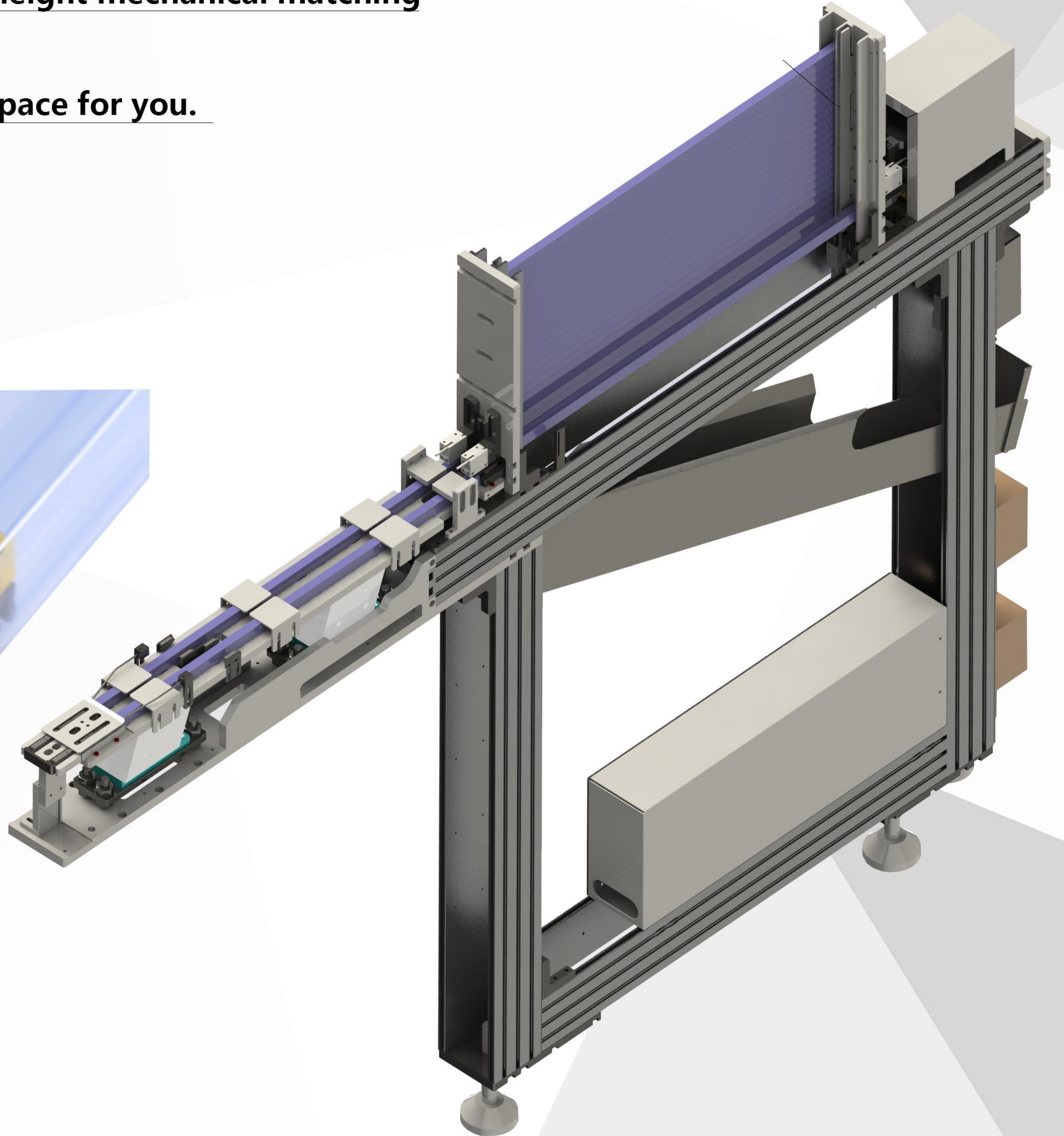
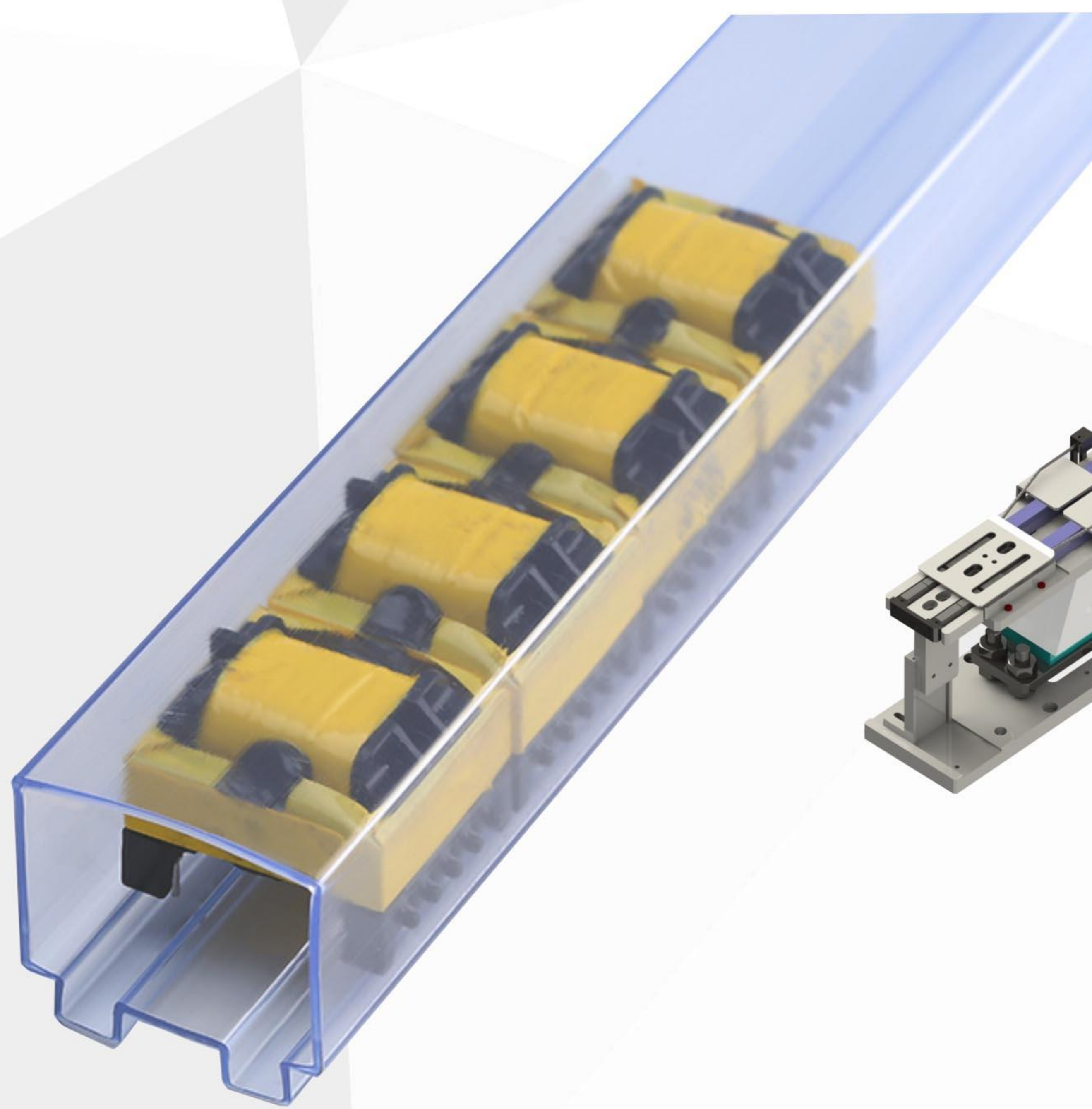
3D SPI which is solder paste inspection can completely solve the problem of shadow and random reflection in the detection process, so that solder paste 3D detection accuracy is higher

STF-1002 STACKED TUBE FEEDER

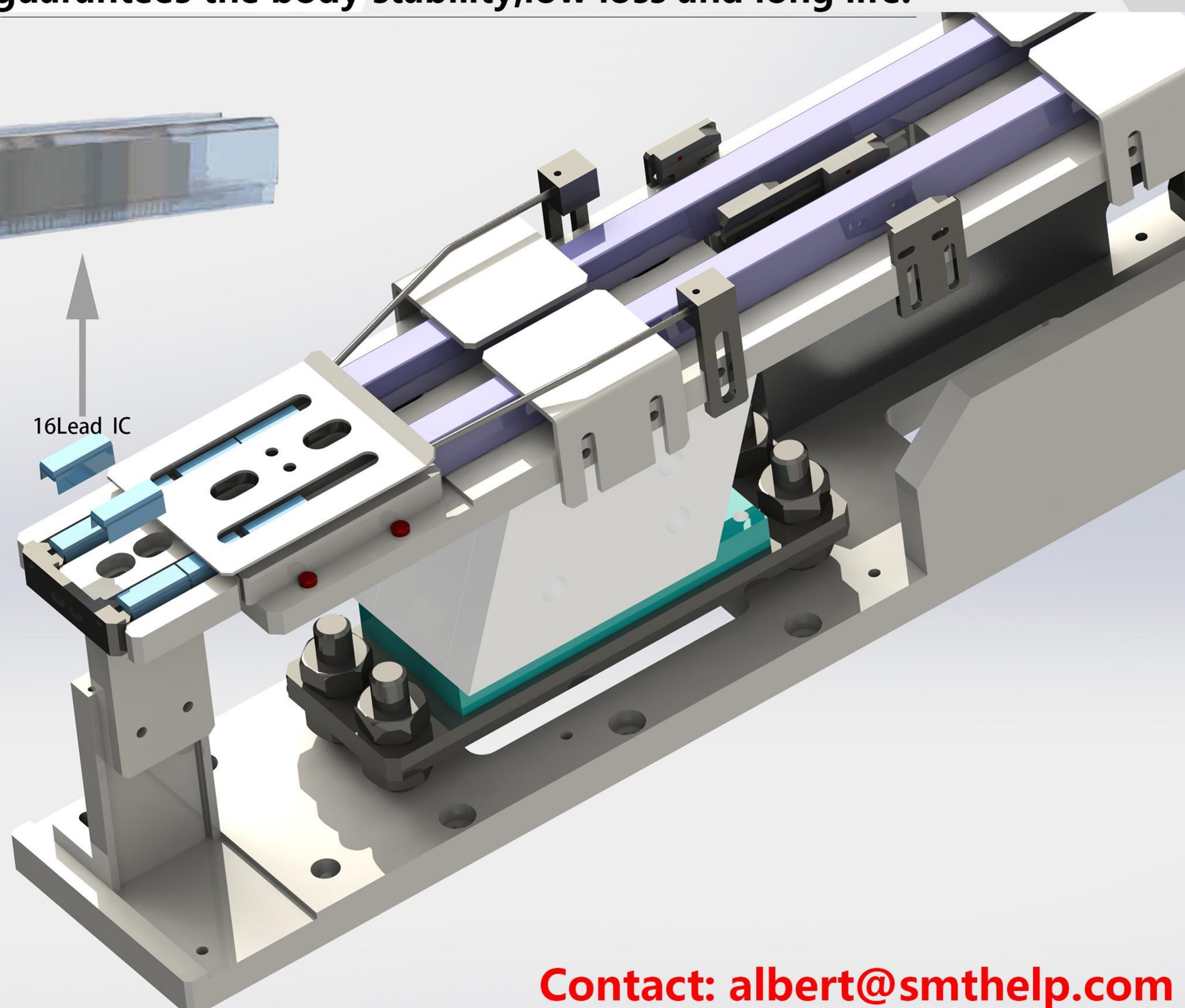
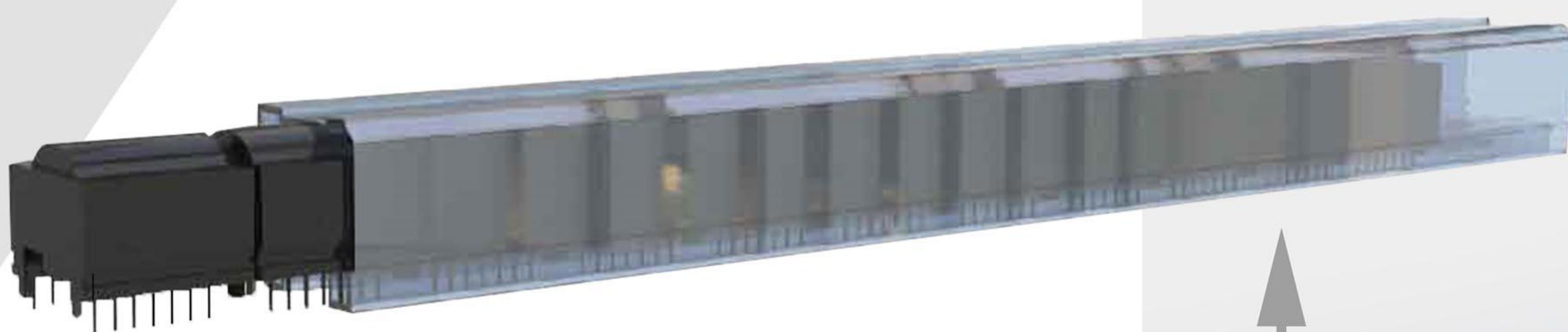
This feeder is use for SMT mounter machine,feeding tubes of components such as: capacitor/safety capacitor/IC/Keys/triode/hardware parts.

Suitable for Panasonic,Juki,Fuji,ASM,Universal ,etc.almost all brands of mounter,which is with height mechanical matching and communication to machine.

With only 80mm width saves more space for you.



Feeder is generally made of steel and aluminum alloy,which guarantees the body stability,low loss and long life.



Dimensions L*W*H :1460*80*1148 mm
Power supply: 110/220 V
Cycle time: ≤ 0.8 sec.
Control by: PLC & sensors
MAX Load:40 Tubes

Contact: albert@smthelp.com

CO₂/GREEN LIGHT/UV/
**PCB LASER
MARKING MACHINE**

MODEL: S-300



This machine automatically analyzes bar code quality and an Engraving depth control system. Also, it has a Non-contact temperature closed-loop control system. Super light spot after laser focusing technology is included in the machine. Therefore, it has an Engraving quality intelligent detection system. Bar code level analysis system. Machine with the function of sever

**ADVANCED TECHNOLOGY
FOR DEMANDING PROCESS**

VIBRATION FEEDER

MODEL: S-JVF03

Use for JUKI SMT Machine KE3020V RX6 series



BEST QUALITY

Features:

- Simple structure in linear type, easy in installation and maintenance.
- Adopting advanced qualified components in pneumatic parts, electric parts, and operation parts.
- High-pressure double crank to control the die opening and closing.
- Running in a high automatization and intellectualization, no pollution
- Apply a linker to connect with the air conveyor, which can directly inline with the filling machine.



V-CUT PCB SEPARATOR MACHINE

FOR LED BOARDS WITH LONG PLATFORM

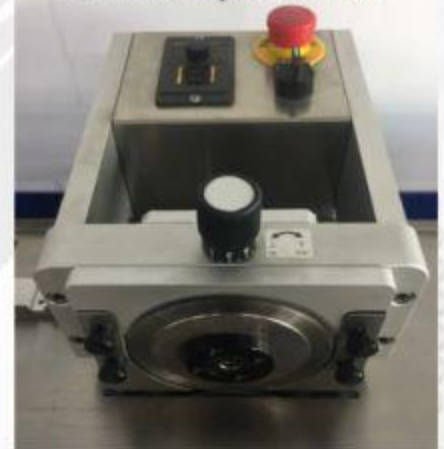
Features and Benefits:

- Cutting speed is adjustable by manual
- Cutting by circular blades and less pollution.
- The blade material is high-speed steel from Japan.
- Up & Down Blades are able to be adjusted accurately.
- Specialized Automatic V-cut PCB Separator Machine for LED Boards with long Platform.

MODEL: S-D502



swift operation



**MODEL: S-6600-PC
LEAD FREE
REFLOW
OVEN**



**VISIT OUR WEBSITE
AND GET QUOTE NOW!**

Specification:

- The machine warm-up time is about 20 minute
- Industrial temperature control module to control the SSR drive
- Settings for transmission speed and motor rotatory speed
- The power required for operation is Approx 5-7KW



MODEL: SCM24 Auto Nozzle Cleaner

Professional Cleaning Equipment For SMT & PCB

- Strong clean power for nozzles
- Prevent damages to the coating layer of the nozzle
- Only use DI water or distilled water
- Reduce reject rate and defective rate of products effectively



www.smthelp.com

VISIT OUR WEBSITE



Ultrasonic Clean Result



S-24 Clean Result

During the cleaning process, the used cleaning water (deionized water or distilled water) discharge automatically

MODEL: SME210

MIS-PRINT PCB CLEANING MACHINE FOR WRONG PRINTING

This machine adopts organic volatile solvent as a cleaning liquid. It is a simple type of misprinting PCB/PCBA cleaning machine with full pneumatic control, which is applied to small batch misprinting PCB, soldered PCBA, printing scraper, etc.

